



ADM-5817AX-00A

Waterproof KVM Extender Integrated 17-inch LCD Touch Display Monitor. True one-cable solution up to 100 meters CAT6 cable, no power supply is required

Features

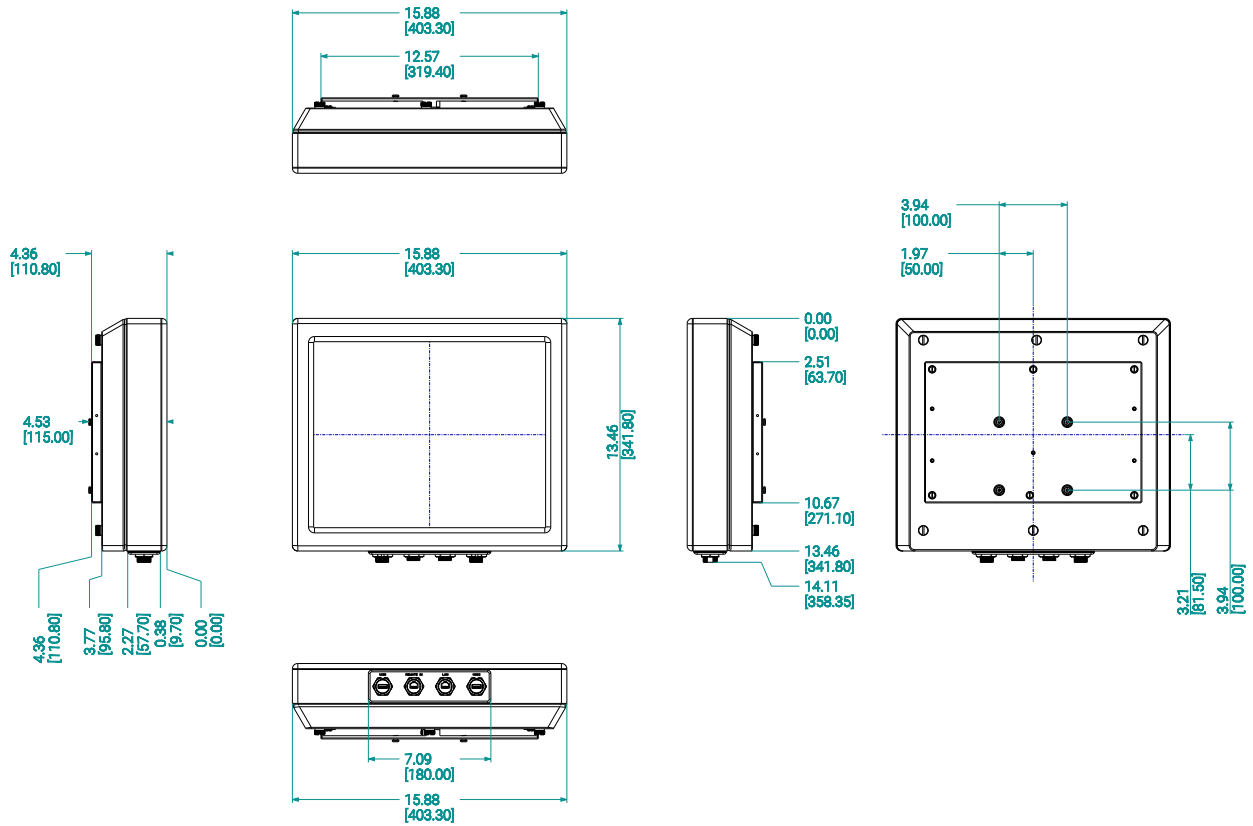
- 17-inch LCD Display, 1280 x 1024 resolutions
- 5-Wire Resistive Touch Screen
- Waterproof Stainless-Steel Enclosure
- Enclosure meets IP66 / NEMA 4X requirements
- Built-in a 2-port USB 2.0 hub to support multiple USB devices.
- Built-in a 1-port 100BaseT Ethernet pass-through
- Single CAT6 cable connection to KVM Transmitter
- No Power Supply is required

Specifications

Model Name	ADM-5817AX-00A
LCD Display	
Display Size (Diagonal)	17"
Max Resolution	1280 x 1024
Backlight Lifetime (Hours)	50,000 hours
Visual Characteristics	
Colors	16.7 million
Aspect Ratio	5:4
Viewing Angle (V/H)	140° / 160°
Contrast Ratio	800:1
Brightness (max)	350 nits
Video Input	HDMI via Transmitter
Touchscreen	
Technology	5-Wire Resistive
Touch Interface	USB via Transmitter
Driver	Windows 7, Windows 10
I/O	
USB Device Ports	2x
Network Pass Through	1x
Power/Thermal Specs	
Power Requirement (Max)	Powered by Transmitter
Power Consumption (Max)	13 W
Recommended Power Supply	Not Required
Heat Dissipation	43 BTU/hr
Physical Information	
Mounting	Multiple Mounting Options
Net Weight	29 Lbs / 13.15 Kg
Dimension (WxHxD)	15.88 x 13.46 x 4.36 inch 403.3 x 341.8 x 110.8 mm
Recommended Cutout Dimension (WxH)	N/A
Environmental	
Operation Temperature	0 to 50°C (32° to 122°F)
Storage Temperature	-20° to 60°C (-4° to 140°F)
Humidity	0% to 95%
Enclosure Materials	SS 304
Rating	Meets IP66, NEMA 4X
Certification	N/A
KVM Transmitter (Shipped with ADM-5817AX-00A)	
Extension Media	RJ-45 Cat5e/Cat6 cable
Extension signal	Video, USB, Ethernet, Power
Video Input	HDMI (Connect to Video Source)
USB	Type-B (Connector to Computer)
RS-232	DB-9 (No Function)
LAN 1 & 2	RJ45 Network Pass Through
HDMI Loop-Back	For Local Display
Physical Information	
Mounting	Wall mount or DIN-RAIL mount
Dimension (WxHxD)	6.19 x 1.45 x 4.04 inch 157.2 x 36.8 x 102.6 mm
Power/Thermal Specs	
Power Requirement (Max)	48V DC Input
Power Consumption (Max)	20W (Including ADM-5817AX-00A)
Recommended Power Supply	Included
Heat Dissipation	68 BTU/hr

Dimension Drawing

ADM-5817AX-00A_600A_V2
 Model Name: ADM-5817AX-00A
 Size Unit: mm



Ordering Information

Item	ADM-5817AX-00A
LCD Display	17" / 1280 x 1024
Touch Screen	5-Wire Resistive
Mounting	Multiple Options
Enclosure	Stainless Steel
Extender Video Input	HDMI via KVM Extender
Power Supply	Powered by KVM Extender